



PeerlessBoilers.com

Peerless® PUREFIRE®

PF-200, PF-210, PF-300 & PF-399

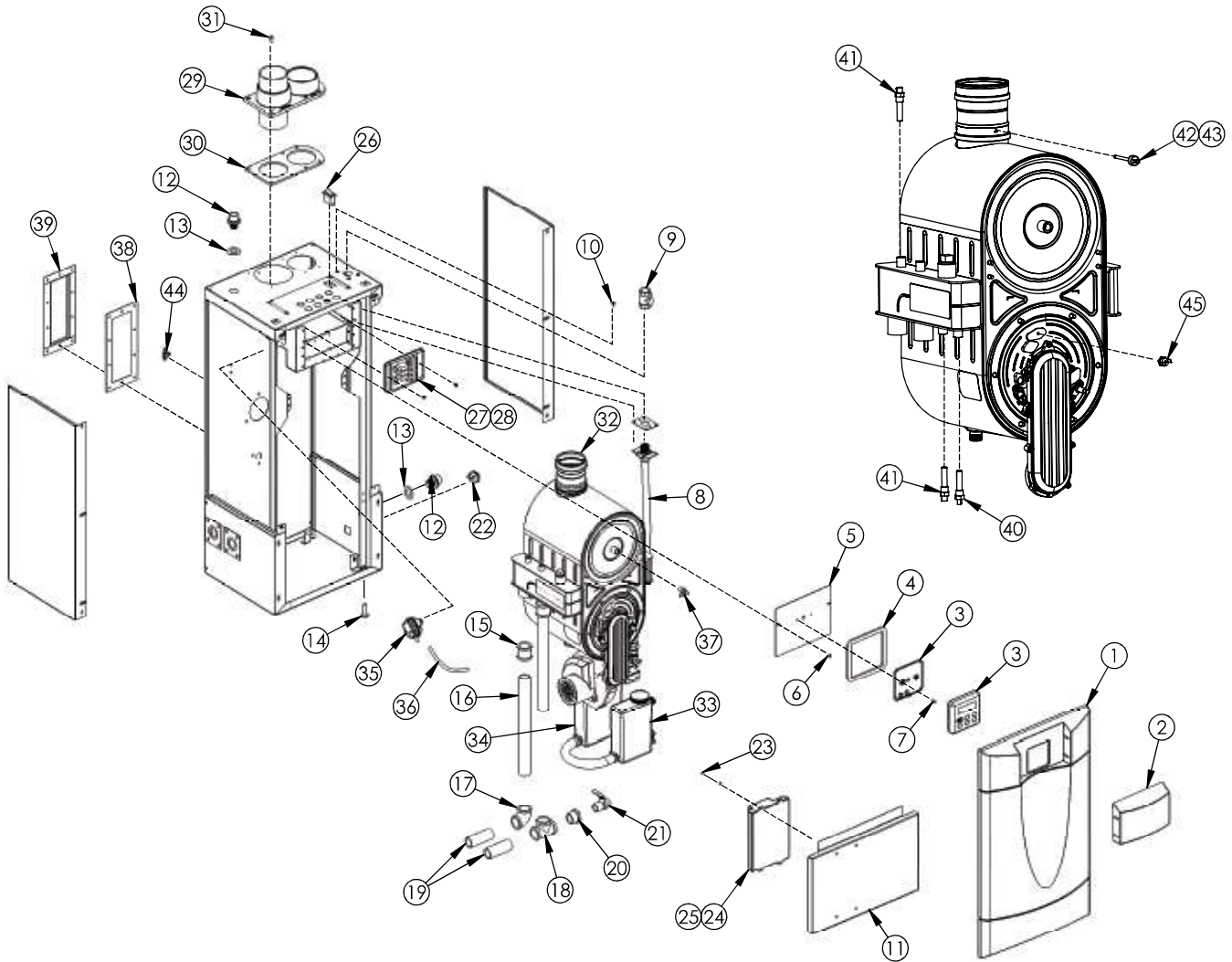
All repair parts orders - no minimum charges.

Please order with code number.

All prices quoted are in U.S. dollars.

All prices subject to change without notice.

All prices F.O.B. Bally, PA



PF-200, PF-210, PF-300 & PF-399



PeerlessBoilers.com

Peerless® PUREFIRE®

PF-200, PF-210, PF-300 & PF-399

All repair parts orders - no minimum charges.

Please order with code number.

All prices quoted are in U.S. dollars.

All prices subject to change without notice.

All prices F.O.B. Bally, PA

	Description	Quantity Required	Stock Code
1	Panel, Jacket Front Door, with Ball Studs	1	54256
2	Lens for Jacket Front Door	1	54167
	Display Module, 852RC 4 Wire, PF-50-399, See Item 24	1	-
4	Gasket for Display Bracket	1	54153
5	Bracket for Display Module	1	PF2007-1
6	Hex Nut, #6-32 with Lock washer, (Local Hdwr Supply)	2	-
7	Screw, #6-32 x 1/2" LG Phillips Head, (Local Hdwr Supply)	2	-
8	Flexible Gas Line – 3/4" – PF-210 Low Pressure Kit	1	54497
	Flexible Gas Line – 3/4" – PF-399	1	54262
N/L	Gasket for Gas Line	1	-
9	Manual Shut-off Valve, 3/4" NPT , Full Port	1	54142
10	Screw, #10 x 1/2" LG Hex. Hd., (Local Hdwr Supply)	1	51805
11	Jacket, Lower Front Panel	2	PF6051
12	Bulk Head Fitting for Condensate Hose	1	54140
N/L	Jacket Side Panel – PF-210	1	54244
	Jacket Side Panel – PF-399	1	54245
13	Gasket for Bulk Head Fitting	1	54134
14	Leg Leveler	4	93867
15	Coupling, 1" NPT Brass, (Local Hdwr Supply) – PF-200- 210	2	5534
	Coupling, 1-1/2" NPT Brass, (Local Hdwr Supply) – PF-300-399	2	5551
16	Nipple, 1" NPT x 14" LG Brass , (Local Hdwr Supply) – PF-200- 210	2	5557
	Nipple, 1-1/2" NPT x 14" LG Brass, (Local Hdwr Supply) – PF-300-399	2	5550
17	Elbow, 1" NPT Brass, (Local Hdwr Supply) – PF-200- 210	1	5558
	Elbow, 1-1/2" NPT Brass, (Local Hdwr Supply) – PF-300-399	1	5553
18	Tee, 1" NPT Brass, (Local Hdwr Supply) – PF-200- 210	1	5537
	Tee, 1-1/2" NPT Brass, (Local Hdwr Supply) – PF-300-399	1	5554
19	Nipple, 1" NPT x 3" Brass, (Local Hdwr Supply) – PF-200- 210	2	5559
	Nipple, 1-1/2" NPT x 3" Brass, (Local Hdwr Supply) – PF-300-399	2	5552
20	Reducing Bushing, 1" x 3/4" NPT Brass, (Local Hdwr Supply) – PF-200- 210	1	-
	Reducing Bushing, 1-1/2" x 3/4" NPT Brass, (Local Hdwr Supply) – PF-300-399	1	-
21	Shut-off Valve, 3/4" NPT Brass, (Local Hdwr Supply)	1	50764
N/L	Nipple, 3/4" NPT x 16" LG Brass, Replaced by 3/4 plug (BRS)	1	-
22	Convenience Outlet, (Local Hdwr Supply)	1	-
23	Hex. Nut, #8-32 with Lockwasher, (Local Hdwr Supply)	4	-
24	Display Module & Control Module Kit, 852MN – PF-200	1	54713
	Display Module & Control Module Kit, 852MN – PF-210	1	54714
	Display Module & Control Module Kit, 852MN – PF-300	1	54715
	Display Module & Control Module Kit, 852MN – PF-399	1	54716
25	3.15A, 250V 5x20mm Slow-Blow Glass Fuse for Control Board	1	5650
26	Rocker Switch (20A, 120 VAC, On/Off Switch)	1	5701
27, 28	Pump Isolation Relay Module Kit , Includes harness	1	54610
N/S	10-Amp 125V 5x20mm Slow Blow Fuse, (Local Hdwr Supply)	4	-
N/S	Water Flow/Switch Sensor	1	29017



PeerlessBoilers.com

Peerless® PUREFIRE®

PF-200, PF-210, PF-300 & PF-399

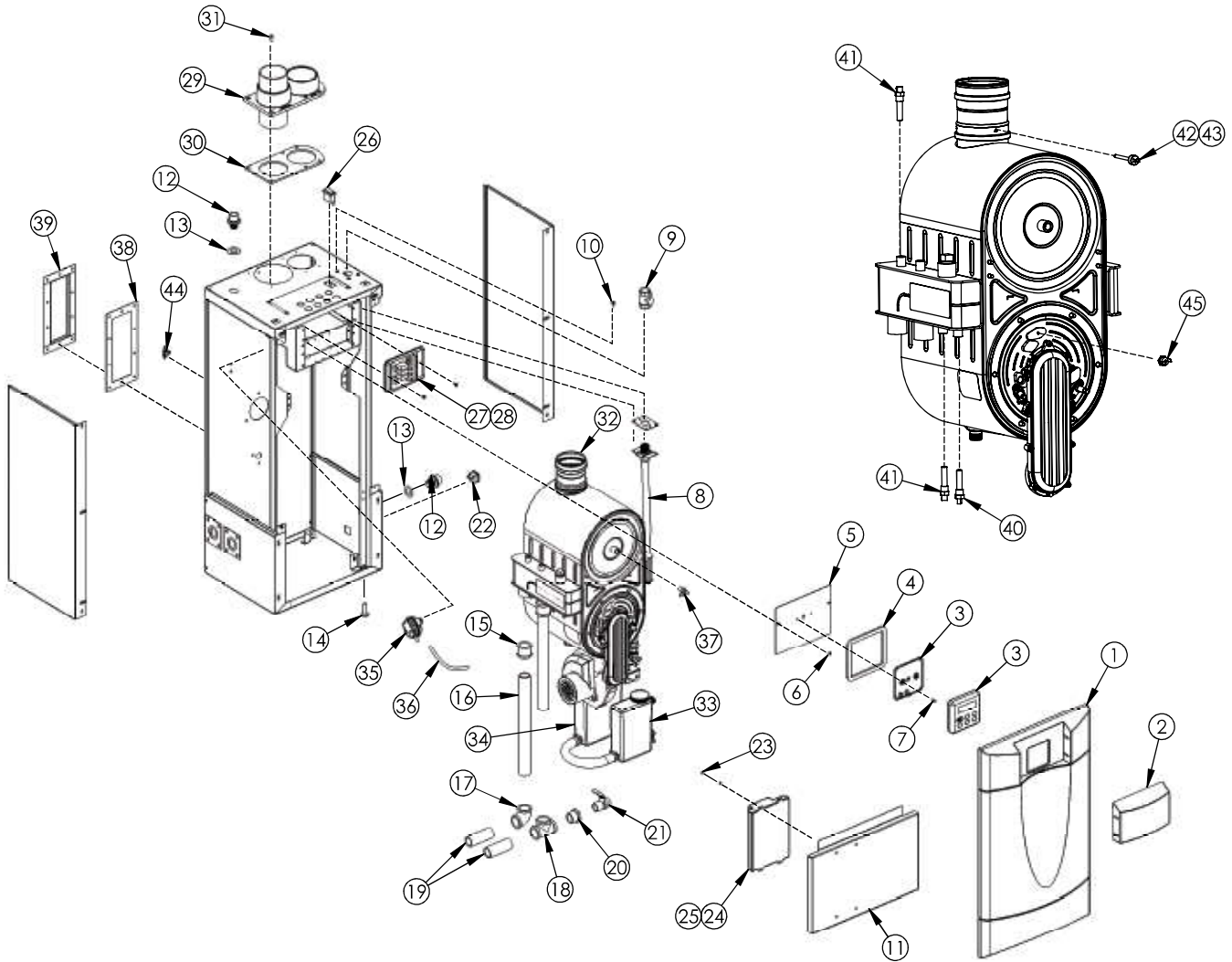
All repair parts orders - no minimum charges.

Please order with code number.

All prices quoted are in U.S. dollars.

All prices subject to change without notice.

All prices F.O.B. Bally, PA



PF-200, PF-210, PF-300 & PF-399



PeerlessBoilers.com

Peerless® PUREFIRE®

PF-200, PF-210, PF-300 & PF-399

All repair parts orders - no minimum charges.

Please order with code number.

All prices quoted are in U.S. dollars.

All prices subject to change without notice.

All prices F.O.B. Bally, PA

	Description	Quantity Required	Stock Code
29	Vent / Air Stub Adapter, 3" – PF-210	1	54293
	Vent / Air Stub Adapter, 4" – PF-399	1	54294
30	Gasket, Vent Adapter, 3" – PF-50/210	1	54133
	Gasket, Vent Adapter, 4" – PF-399	1	54217
31	Screw, #10 x 3/4" LG Phillips Pan Hd. Type A Zinc, (Local Hdwr Supply)	6	–
32	Heat Exchanger Outlet Collar, 3" – PF-210	1	5531
	Heat Exchanger Outlet Collar, 4" – PF-399	1	5532
N/S	Vent Stub, 3" – PF-210, (Earlier Models, Obsolete, 7/11)	1	54221
	Vent Stub, 4" – PF-399, (Earlier Modles, Obsolete, 7/11)	1	54220
33	Condensate Neutralizer Assembly	1	54204
34	Condensate Receiver Assembly	1	54259
35	Blocked Vent, Pressure Switch Kit includes items 36 & 37	1	54260
36	1/4" ID Tubing x 12" Long, (Local Hdwr Supply)	1	–
37	90° Barbed Elbow Polyethylene Adapter Fitting, 1/4 NPT X 1/4 Barb	1	5698
38	Gasket for Thermal Temperature	1	–
39	Cover Plate for Thermal Temperature Limit	1	PF2021
N/S	Revised Kit Supply Sensor/Switch, 12kOhm Tasseron Kit, (units prior to 10/2010)	1	54350
40	Hi Limit Switch Tasseron TSDS950	1	54419
41	Supply/Return Sensor, 12kOhm Tasseron TSD00BS	2	54418
42	Grommet for Flue Sensor	1	54291
43	Flue Sensor, 12kOhm Tasseron TSDZ0B0	1	54209
44	Thermal Temperature Limit, 605 F	1	54475
45	Thermal Door Temperature Limit, TK32-14	1	50045
N/S	Wiring Harness, Power (Right Terminal Block) used w/ 4 pole relay 120 Volt	1	54629
N/S	Wiring Harness, Control (Left Terminal Block) 24 Volt	1	PF7021
N/S	Wiring Harness, Gas Valve & Flame Sensor	1	PF7023
N/S	Wiring Harness, limit circuit, Pink Wires	1	PF7125
N/S	Wiring Harness, Ground Wire	1	PF7024
N/S	Push-on Terminal Block (Field Wiring) 10-pole	2	5450
N/S	Push-on Terminal Block (Field Wiring) 6-pole	2	5547
N/S	30 Lbs. Relief Valve Standard, (Local Hdwr Supply)	1	50664
N/S	50 Lbs. Relief Valve Optional, (Local Hdwr Supply)	1	51029
N/S	80 Lbs. Relief Valve Optional, (Local Hdwr Supply)	1	51030
N/S	125 Lbs. Relief Valve Optional, (Local Hdwr Supply)	1	54274
N/S	150 Lbs. Relief Valve Optional, (Local Hdwr Supply)	1	54471
N/S	Harness PF210/399 Split Sensor / Limit Adapter	1	54421
N/S	DHW Sensor, Optional (PP Partner) 12kOhm Tasseron TSK1 0BH	1	54157
N/S	DHW Sensor, Optional (PT Partner) 12kOhm Tasseron TSK10B7	1	54478
N/S	DHW Sensor, Optional (Amtrol) 12kOhm Tasseron TSK10B7	1	54158
N/S	System Sensor, 12kOhm Tasseron TSA00BC	1	54156
N/S	Outdoor Sensor, 12kOhm Tasseron TSA00B4	1	54112
Optional items			
N/S	PFA-1 Interface Board Kit Consisting of the below items:	1	54271
N/S	Adapter Interface Board PFA-1 ARGUS 852IF-3R-0	1	54270
N/S	Low Voltage Stub Harness	1	PF7027
N/S	Line Voltage Stub Harness	1	PF7028
N/S	Analog Input Stub Harness (Rev 0 & 1) Obs 4/10	1	PF7031
N/S	ModBus Stub Harness	1	PF7030
Miscellaneous			
N/S	4" 304 Stainless Steel Vent Screen	2	54213
N/S	320°F 0-75# 2-1/2 Round Gauge, Howe	1	51324
N/S	Stand (PureFire)	1	91400
N/S	Conversion Kit PF-200 to PFW-200 (Domestic)	1	91177
N/S	Conversion Kit PF-300 to PFW-300 (Domestic)	1	91178
N/S	Conversion Kit (Nat. to LP/LP to Nat.) Contained in Boiler Envelope Assembly	1	54194



PeerlessBoilers.com

Peerless® PUREFIRE®

PF-200, PF-210, PF-300 & PF-399

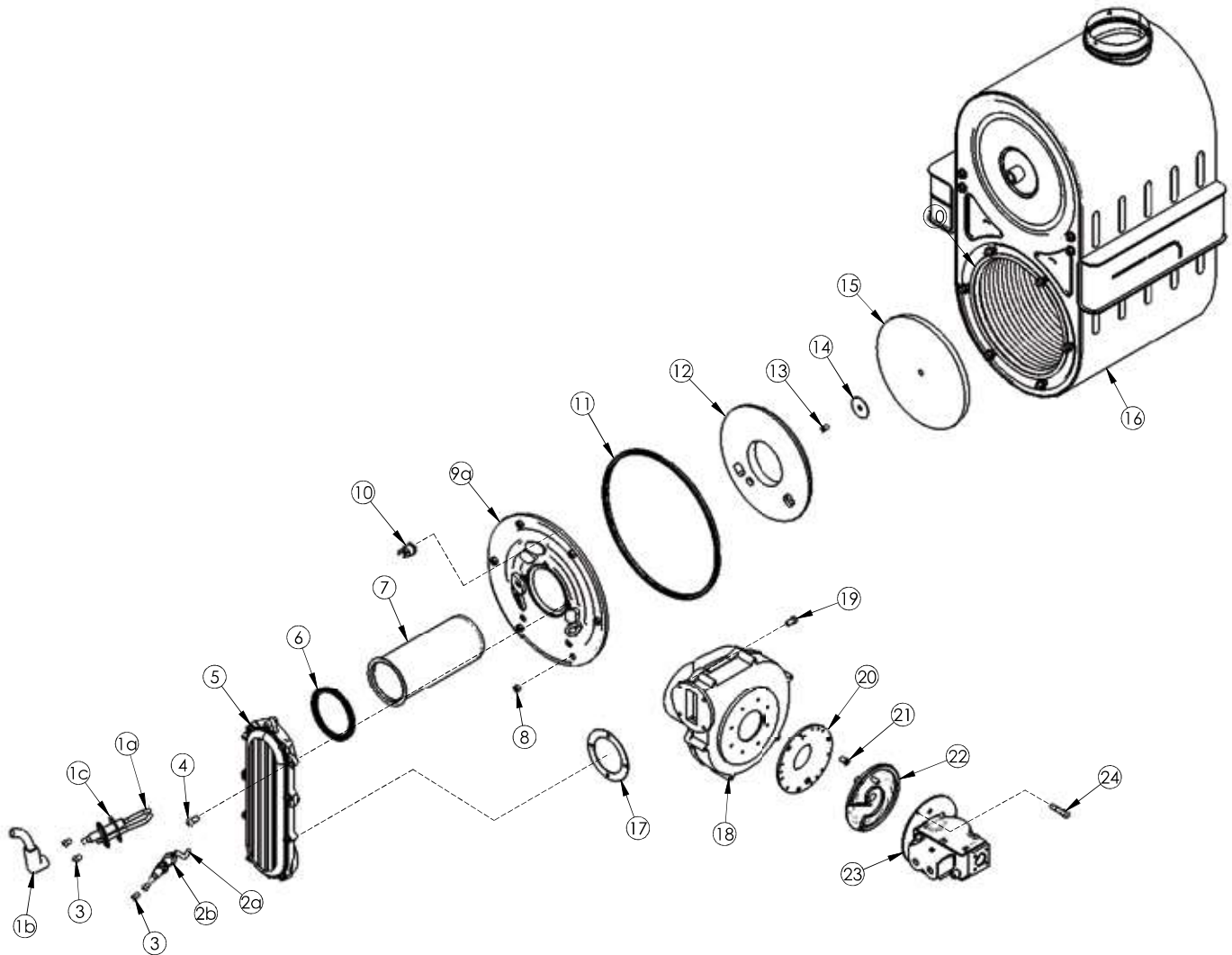
All repair parts orders - no minimum charges.

Please order with code number.

All prices quoted are in U.S. dollars.

All prices subject to change without notice.

All prices F.O.B. Bally, PA



PF-200, PF-210, PF-300 & PF-399



PeerlessBoilers.com

Peerless® PUREFIRE®

PF-200, PF-210, PF-300 & PF-399

All repair parts orders - no minimum charges.

Please order with code number.

All prices quoted are in U.S. dollars.

All prices subject to change without notice.

All prices F.O.B. Bally, PA

	Description	Quantity Required	Stock Code
1	Ignition Electrode KIT includes Gasket, Hardware, and Cable	1	54246
2	Sensor Electrode KIT includes Gasket and Hardware	1	54247
3	Screw, M4 x8mm, (Local Hew Supply)	4	-
4	Screw, M5.5 x 14mm, (Local Hew Supply)	5	-
5	Premix Channel, Air Inlet, PF200 - 210	1	5545
	Premix Channel, Air Inlet, PF300 - 399	1	5546
6	Gasket, Channel to Burner	1	54186
7	Burner – PF-200/210	1	54263
	Burner – PF-300, 399, and 460	1	54264
8	Nut, M6, 10MM Hex, (Local Hdwr Supply)	6	51614
N/S	200 / 210 Combustion Chamber Cover Plate Kit, Current, includes items #8, 9a, 12	1	54206
	300 / 399 Combustion Chamber Cover Plate Kit, Current, includes items #8, 9a, 12	1	54207
9a	200 / 210 Combustion Chamber Cover Plate	1	54183
10	Thermal Temperture Limit, 435F – Burner Plate	1	50045
N/L	Gasket, Glass Rope, (Must use order #9a)	1	-
11	Gasket for Burner, Rubber	1	54187
12	Insulation, Combustion Chamber Cover Plate	1	54255
13	M4 X 8 MM SS Screw Target Wall, (Local Hdwr Supply)	1	-
14	Washer, M4, (Local Hdwr Supply)	1	-
15	Insulation, Target Wall	1	54185
16	Heat Exchanger – PF-200 - 210 (For Credit Referance Only)	1	5529
	Heat Exchanger – PF-300 - PF-399 (For Credit Referance Only)	1	5530
17	Gasket, Blower to Channel	1	54122
18	Blower/Inducer Kit, PF-200 - 210 w/ Restrictor	1	54258
	Blower/Inducer Kit, PF-300 - 399 w/ Restrictor	1	54257
19	M5-0.80 X 12MM Screw, (Local Hdwr Supply)	4	-
20	Blower Adapter Plate – PF-200/210	1	5421
	Blower Adapter Plate – PF-300/399	1	5610
21	M4 x 10mm Screw, (Local Hdwr Supply)	3	-
22	Swirl Plate – PF-200/210, Grey	1	5616
	Swirl Plate – PF-300/399, Black	1	5620
23	Gas Valve – PF-200/210, includes item #22	1	54253
	Gas Valve – PF-300/399, includes item #22	1	54254
24	Screw, M4 x 25mm, T20 Torx, PF-200 - 210 (Local Hdwr Supply)	3	-
	Screw, M4 x 30mm, T20 Torx, PF-300, 399 (Local Hdwr Supply)	3	-
N/S	System Sensor 12KOHM TSA00BC	1	54156